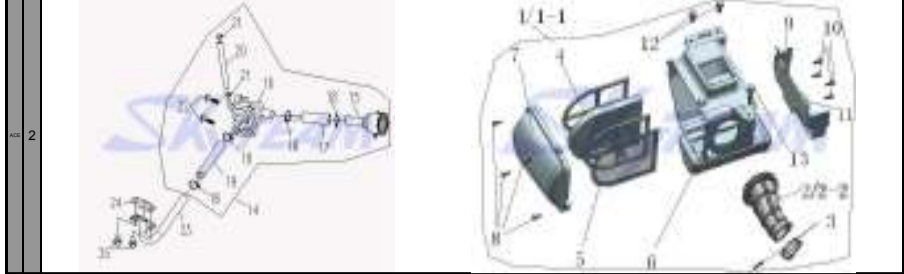




Ref	Part Number	Part Name	Quantity	ST50-17	ST127-17 (ACE-125CC)
-----	-------------	-----------	----------	---------	----------------------

Fig.1 空滤和二次补气系统 AIR FILTER & SECOND AIR SYSTEM



3	1	13700-27A00	Air Cleaner Assy	空气滤清器总成	1	✓	✓
4	1-1	13700-27H00	Air Cleaner Assy	空气滤清器总成	1	✓	✓
5	2	13712-27A00	Air Filter Assy	空滤器接口	1	✓	✓
6	2-1	13712-27H00	Air Filter Assy	空滤器接口	1	✓	✓
7	3	13711-27H00	Clip, Air Cleaner	空滤器卡箍	1	✓	✓
8	4	13701-27A00	Element, Air Cleaner	滤芯	1	✓	✓
9	5	13702-27A00	Grid	滤网	1	✓	✓
10	6	13703-27A00	Body, Air Cleaner	空滤器本体	1	✓	✓
11	7	13704-27A00	Side Cover, Air Cleaner	空滤器侧盖	1	✓	✓
12	8	GB/T 845 ST4.8X16-Zn.DJ	Screw	自攻螺钉	4	✓	✓
13	9	13705-27A00	Holder, Battery	电瓶支架	1	✓	✓
14	10	GB/T 845 ST4.2X13-Zn.DJ	Screw	自攻螺钉	4	✓	✓
15	11	13811-27A00	Cushion	泡沫缓冲垫	3	✓	✓
16	12	GB/T 16674 M6X16-Zn.DJ	Flange Bolt	六角法兰面螺栓	2	✓	✓
17	13	GB/T 16674 M6X35-Zn.DJ	Flange Bolt	六角法兰面螺栓	1	✓	✓
18	14	18400-23A00	Second Air System	二次空气系统总成	1	✓	✓
19	15	13710-15H00	Air Filter	过滤器	1	✓	✓
20	16	18420-21H00	Valve, Second Air System	二次空气导入阀	1	✓	✓
21	17	18442-21H00	Outlet Hose, Second Air System	二次空气出气管	1	✓	✓
22	18	09401-21H00	Clip	卡箍	4	✓	✓
23	19	18442-22H00	Outlet Hose, Second Air System	二次空气出气管	1	✓	✓
24	20	18443-23A00	Hose, Inlet Valve	导入阀负压管	1	✓	✓
25	21	09402-21H00	Clip	卡箍	2	✓	✓
26	22	GB/T 16674 M6X16-Zn.DJ	Flange Bolt	六角法兰面螺栓	2	✓	✓
27	23	13770-23H00	Steel Tube	金属管	1	✓	✓
28	24	13740-21000	Graphite Gasket	石墨垫片	1	✓	✓
29	25	GB/T 16674 M6X12-Zn.DJ	Flange Bolt	六角法兰面螺栓	2	✓	✓

Fig.2 消音器 MUFFLER



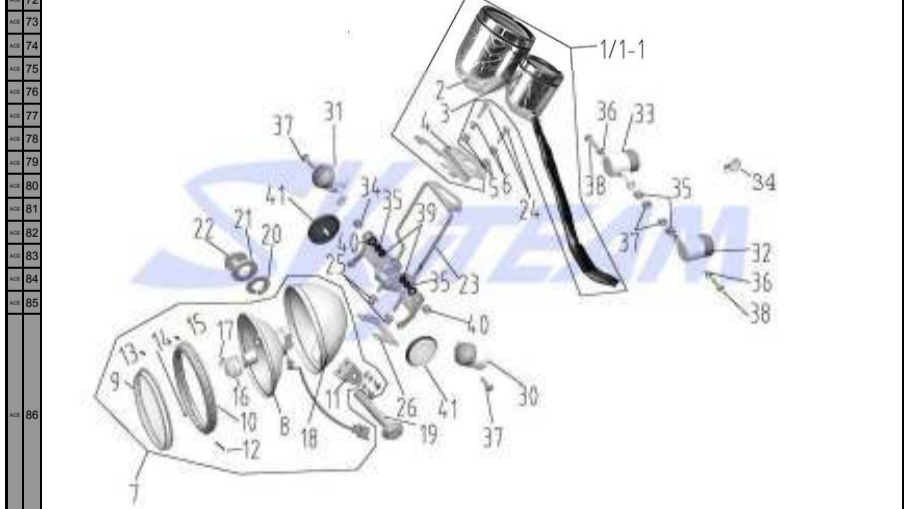
30	1	14300-27A00	Muffler Assy	消音器总成	1	✓	✓
31	1-1	14300-27H00	Muffler Assy	消音器总成	1	✓	✓
32	2	14360-Z1000	Gasket, Exhaust Pipe	消音器接头密封垫	1	✓	✓
33	2-1	14313-Y1000	Gasket, Exhaust Pipe	消音器接头密封垫	1	✓	✓
34	3	GB/T 16674 M10X1.25X20-Zn.DJ	Flange Bolt	六角法兰面螺栓	1	✓	✓
35	4	GB 96 10-140HV-Zn.DJ	Washer	大垫圈	1	✓	✓
36	5	14370-Z1000	Nut	盖型螺母	2	✓	✓

Fig.3 电器系统 ELECTRICAL COMPONENTS



37	1	36610-27A00	Wire Harness	导线束	1	✓	✓
38	2	32830-27A00	Bracket, Electric Parts	电器支架	1	✓	✓
39	3	32900-15H00	CDI Unit	C.D.I.	1	✓	✓
40	4	31800-Y1000	Start Relay	启动继电器	1	✓	✓
41	5	32800-Y1000	Rectifier Assy	稳压器	1	✓	✓
42	6	GB/T 16674 M6X12-Zn.DJ	Flange Bolt	六角法兰面螺栓	1	✓	✓
43	7	38500-14A00	Horn Assy	喇叭	1	✓	✓
44	8	GB/T 5789 M6X12-Zn.DJ	Bolt	螺栓	1	✓	✓
45	9	38620-Y1000	Flash Relay	闪光器	1	✓	✓
46	10	33400-Y1000	Ignition Coil	点火线圈	1	✓	✓
47	11	GB/T 16674 M6X16-Zn.DJ	Flange Bolt	六角法兰面螺栓	2	✓	✓
48	12	33610-Y1000	Battery	蓄电池	1	✓	✓
49	13	33629-27A00	Band, Battery	蓄电池绑带	1	✓	✓
50	14	37000-23H00	Lock Assy	套锁总成	1	✓	✓
51	15	37100-15A00	Ignition Switch	电门锁	1	✓	✓
52	16	37300-23H00	Fuel Tank Cap	油箱盖锁	1	✓	✓
53	17	37300-16H10	Steering Lock Assy	车头锁	1	✓	✓
54	18	GB 819.1 M6X12-Zn.DJ	Screw	十字槽沉头螺钉	2	✓	✓

Fig.4 仪表和灯具 SPEEDOMETER & Lamp



55	1	34100-27H00	Speedometer Assy	仪表总成	1	✓	✓
56	1-1	34100-27A00	Speedometer Assy	仪表总成	1	✓	✓
57	2	34110-27A00	Speedometer	转速里程表	1	✓	✓
58	3	34120-27A00	Indicator Meter	指示灯组合表	1	✓	✓
59	4	34111-27A00	Mounting Bracket	仪表安装支架	1	✓	✓
60	5	35608-17H00	Rubber Ring	转向灯过渡胶套	2	✓	✓
61	6	35609-17H00	T-shape Bushing	T形衬套	2	✓	✓
62	7	35100-27A00	Headlamp Assy	前大灯总成	1	✓	✓
63	8	35101-27A00	Lens, Reflector, Headlamp	前大灯框架	1	✓	✓
64	9	35102-27A00	Lens, Headlamp	前大灯玻璃	1	✓	✓
65	10	35103-27A00	Ring, Headlamp Lens	玻璃固定圈	1	✓	✓
66	11	35108-27A00	Holder, Headlamp Lens	大灯固定支架	1	✓	✓
67	12	GB/T 818 M5X40-Zn.DJ	Screw	十字槽盘头螺钉	1	✓	✓
68	13	GB 859 5-Zn.DJ	Spring Washer	轻型弹簧垫圈	1	✓	✓
69	14	GB 97.1 5-140HV-Zn.DJ	Washer	平垫圈	1	✓	✓
70	15	GB/T 6170 M5-Zn.DJ	Nut	六角螺母	1	✓	✓
71	16	35107-Y1000	Bulb, Headlamp	灯泡	1	✓	✓
72	17	35106-Y1000	Bulb, position	位置灯泡	1	✓	✓
73	18	35130-27A00	Housing, Headlamp	前大灯灯壳	1	✓	✓
74	19	GB/T 16674 M8X45-Zn.DJ	Flange Bolt	六角头螺栓	1	✓	✓
75	20	GB859 8-Zn.DJ	Spring Washer	轻型弹簧垫圈	1	✓	✓
76	21	GB 97.1 8-140HV-Zn.DJ	Washer	平垫圈	1	✓	✓
77	22	GB/T 6170 M8-Zn.DJ	Nut	六角螺母	1	✓	✓

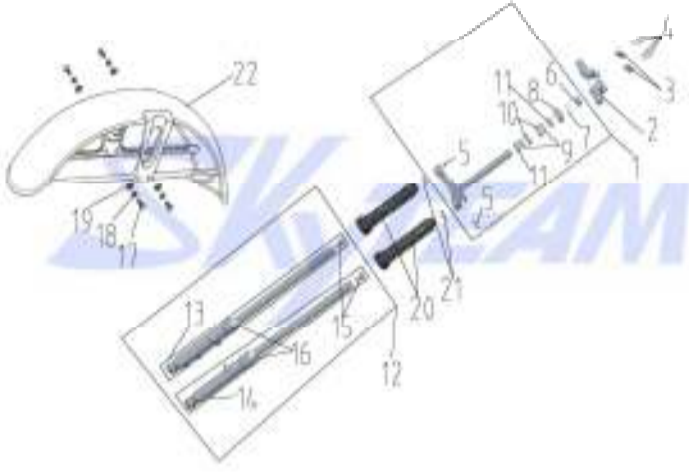
23	46710-27A00	Bracket, Headlamp	前大灯支架组件	1	✓	✓
24	GB/T 16674 M6X16-Zn.DJ	Flange Bolt	六角法兰面螺栓	2	✓	✓
25	46705-14A00	Rubber Cushion	橡胶套	2	✓	✓
26	46720-27A00	Mounting Plate, Lower	支架下安装板组件	1	✓	✓
27	GB/T 16674 M6X16-Zn.DJ	Flange Bolt	六角法兰面螺栓	2	✓	✓
28	GB 97.1 6-140HV-Zn.DJ	Washer	平垫圈	2	✓	✓
29	GB 859 6-Zn.DJ	Spring Washer	轻型弹簧垫圈	2	✓	✓
30	35210-17H00	Signal Lamp Assy, Front, Lh	前左转向灯	1	✓	✓
31	35310-17H00	Signal Lamp Assy, Front, Rh	前右转向灯	1	✓	✓
32	35510-17H00	Signal Lamp Assy, Rear, Lh	后左转向灯	1	✓	✓
33	35410-17H00	Signal Lamp Assy, Rear, Rh	后右转向灯	1	✓	✓
34	35211-Y1000	Bulb, Signal Lamp	转向灯泡 (E)	4	✓	✓
35	35608-17H00	Rubber Ring	转向灯过渡胶套	4	✓	✓
36	35609-17H00	T-shape Bushing	衬套	4	✓	✓
37	35609-27A00	Spacer	衬套	2	✓	✓
38	GB/T 16674 M6X25-Zn.DJ	Flange Bolt	六角法兰面螺栓	4	✓	✓
39	GB 6187.1 M6-Zn.DJ	Flange Nut	六角法兰面锁紧螺母	2	✓	✓
40	GB 97.1 8-140HV-Zn.DJ	Washer	平垫圈	2	✓	✓
41	38110-Y1000	Side Reflector	前边缘反射器	2	✓	✓

FIG.5 方向把HANDLE BAR



1	56110-27A00	Handlebar Comp.	方向把组件	1	✓	✓
2	56111-27A00	Handlebar	方向把	1	✓	✓
3	56112-27A00	Balancer	平衡块	2	✓	✓

FIG.6 前叉FRONT FORK



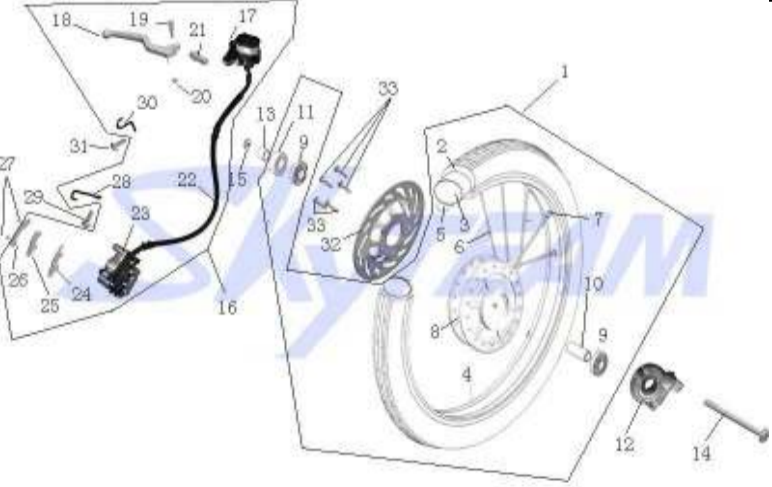
1	51410-27A00	Steering Stem	下联板组件	1	✓	✓
2	51310-27A00	Steering Head	上联板组件	1	✓	✓
3	56221-27A00	Upper Handlebar Holder	上把手座	2	✓	✓
4	GB/T 16674 M6X35*30-Zn.DJ	Flange Bolt	六角法兰面螺栓	4	✓	✓
5	GB/T 16674 M8X1.25*30-Zn.DJ	Flange Bolt	六角法兰面螺栓	2	✓	✓
6	51613-27A00	Nut	支柱顶螺母	1	✓	✓
7	51612-27A00	Washer	垫片	1	✓	✓
8	51615-27A00	Nut	方向柱螺母	1	✓	✓
9	43628-10G00	Balls With Retainer	带保持架滚珠	2	✓	✓
10	51661-27A00	Race, Upper	上钢碗	2	✓	✓
11	51662-27A00	Race, Lower	下钢碗	2	✓	✓
12	52000-27A00	Front Shock Absorber Assy	前减震器总成	1	✓	✓
13	52100-27A00	Front Shock Absorber, Rh	前右减震器总成	1	✓	✓
14	52200-27A00	Front Shock Absorber, Lh	前左减震器总成	1	✓	✓
15	52222-27A00	Bolt	前减头部螺栓	2	✓	✓
16	52223-27A00	Oil Seal	前减油封	2	✓	✓
17	GB 5783 M6X12-Zn.DJ	Bolt	六角头螺栓	4	✓	✓
18	GB/T 859 6-Zn.DJ	Spring Washer	轻型弹簧垫圈	4	✓	✓
19	GB 97.1 6-140HV-Zn.DJ	Washer	平垫圈	4	✓	✓
20	51159-17H00	Sheath, Shock Absorber	前减套护套	2	✓	✓
21	51412-17H00	Clamp	卡箍	2	✓	✓
22	53110-27A10	Front Fender	前挡泥板	1	✓	✓

FIG.7 手把开关 HANDLE SWITCH



1	37200-21H00	Right Handle Switch Assy	右操纵电器开关总成	1	✓	✓
2	37300-22A00	Left Handle Switch Assy	左操纵电器开关总成	1	✓	✓
3	57110-27A00	Grip, Throttle	油门把手组件	1	✓	✓
4	57211-27A00	Grip, Lh	左把套	1	✓	✓
5	57500-21H00	Clutch Lever Assy	离合器操纵杆总成	1	✓	✓
6	57511-21H00	Lever, Clutch	离合手柄	1	✓	✓
7	57514-21H00	sheath, Lever	离合手柄护套	1	✓	✓
8	56500-Y1000	Rearview Mirror, Lh	左后视镜	1	✓	✓
9	56600-Y1000	Rearview Mirror, Rh	右后视镜	1	✓	✓
10	58200-27A00	Speedometer Cable Assy	里程表软轴总成	1	✓	✓
11	58500-27H00	Choke Cable Assy	风门线	1	✓	✓
12	58300-27H00	Throttle Cable Assy	油门钢索组件	1	✓	✓
13	58400-27H00	Clutch Cable Assy	离合器线组件	1	✓	✓

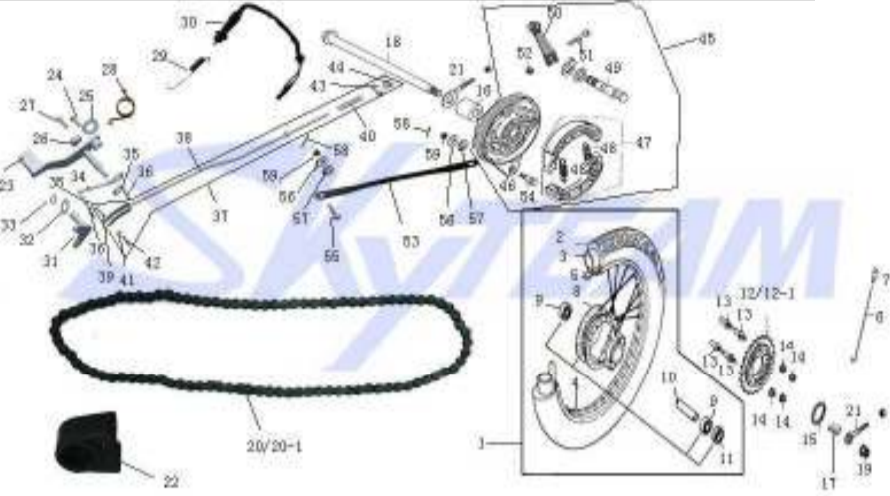
FIG.8 前轮FRONT WHEEL



1	55000-27A00	Front Wheel Assy	前轮总成	1	✓	✓
2	55700-27A00	Tire	前轮外胎	1	✓	✓
3	55600-27A00	Tube, Inner	前轮内胎	1	✓	✓
4	55500-27A00	Front Wheel Assy(without tire)	前轮圈总成	1	✓	✓
5	55335-27A00	Protector, Inner Tube	前轮护带	1	✓	✓
6	55352-27A00	Spoke, Front Wheel	前轮辐条	36	✓	✓
7	55341-27A00	Nut, Spoke	辐条螺母	36	✓	✓
8	55320-27A00	Hub, Front Wheel	前轮毂	1	✓	✓
9	GB/T 276 6301Z	Bearing	前轮轴承	2	✓	✓
10	55332-27A00	Spacer,Hub	前轮轴承衬套	1	✓	✓
11	09284-27A00	Oil Seal	前轮右密封圈	1	✓	✓
12	54600-27A00	Gear Box Assy, Speedometer	计速器	1	✓	✓
13	54122-27A00	Spacer, Front Wheel, R	前轮右衬套	1	✓	✓
14	54711-27A00	Axle, Front Wheel	前轮轴	1	✓	✓
15	GB/T 6187.2 M12X1.25-Zn.DB	Flange Nut	六角法兰面锁紧螺母	1	✓	✓
16	59000-27A00	Front Brake Assy	前液压制动总成	1	✓	✓
17	59008-27A00	Master Cylinder, Front Brake	前刹上泵	1	✓	✓

18	59286-27A00	Front Brake Lever	刹车手柄	1	✓	✓
19	59288-27A00	Bolt	手柄螺栓	1	✓	✓
20	GB/T 6170 M6-Zn.DJ	Nut	六角螺母	1	✓	✓
21	59285-27A00	Brake Switch, Front	前刹开关	1	✓	✓
22	59287-27A00	Front Brake Hose	前刹油管	1	✓	✓
23	59007-27A00	Caliper, Front Brake	前刹下泵	1	✓	✓
24	59312-27A00	Front Brake Pad	外侧摩擦片	1	✓	✓
25	59311-27A00	Front Brake Pad	内侧摩擦片	1	✓	✓
26	59009-27A00	Mounting Plate Front Disc Brakes	碟刹连接板	1	✓	✓
27	GB/T 16674 M8X30-Zn.DJ	Flange Bolt	六角法兰面螺栓	2	✓	✓
28	59242-27A00	Clamp, Brake Hose, Lower	碟刹油管下部固定夹	1	✓	✓
29	GB/T 16674 M6x16-Zn.DB	Flange Bolt	六角法兰面螺栓	1	✓	✓
30	59489-Z1000	Clamp, Brake Hose	前碟刹油管夹	1	✓	✓
31	GB/T 16674 M8x32-Zn.DB	Flange Bolt	六角法兰面螺栓	1	✓	✓
32	59414-27A00	Front Brake Disc	前制动盘	1	✓	✓
33	GB/T 16674 M6X20-Zn.DJ	Flange Bolt	六角法兰面螺栓	5	✓	✓

FIG.9 后轮REAR WHEEL



1	65000-27A00	Rear Wheel Assy	后轮总成	1	✓	✓
2	65700-27A00	Tire	后轮外胎(E)	1	✓	✓
3	65600-27A00	Tube, Inner	后轮内胎	1	✓	✓
4	65500-27A00	Rear Wheel Assy (without tire)	后轮圈总成	1	✓	✓
5	65335-27A00	Protector, Inner Tube	后轮垫圈	1	✓	✓
6	65352-27A00	Spoke, Rear Wheel	后轮辐条	36	✓	✓
7	55341-27A00	Nut, Spoke	辐条螺母	36	✓	✓
8	64110-27A00	Hub Assy, Rear Wheel	后轮毂总成	1	✓	✓
9	GB/T 276 6301Z	Bearing	后轮轴承	2	✓	✓
10	65333-27A00	Spacer, Hub	后轮中间衬套	1	✓	✓
11	65344-27A00	Oil Seal	后轮油封	1	✓	✓
12	64511-27H00	Rear Sprocket	大链轮(428 Z=38)	1	✓	✓
12-1	64511-27A00	64511-27A00	大链轮(428 Z=47)	1	✓	✓
13	64512-27A00	Bolt	螺栓	4	✓	✓
14	GB/T 6187.2 M10X1.25-Zn.DJ	Nut	六角法兰面锁紧螺母	4	✓	✓
15	GB/T 894.1-86 58-Zn.DJ	Circlip	轴用弹性挡圈	1	✓	✓
16	64122-27A20	Spacer, Rear Wheel, R	后轮右衬套	1	✓	✓
17	64121-27A20	Spacer, Rear Wheel, L	后轮左衬套	1	✓	✓
18	64711-27A10	Axle, Rear wheel	后轮轴	1	✓	✓
19	GB/T 6187.2 M12x1.25-Zn.DJ	Nut	六角法兰面锁紧螺母	1	✓	✓
20	428 08MB-120	Chain	传动链条	1	✓	✓
20-1	428 08MB-112	Chain	传动链条	1	✓	✓
21	61410-22H00	Adjuster, Chain	链条调节器	2	✓	✓
22	61274-27A00	Buffer, Chain Touch Defense	链条防碰缓冲垫	1	✓	✓
23	43110-27A00	Brake Pedal	后刹脚踏	1	✓	✓
24	GB/T 16674 M6X12-Zn.DJ	Flange Bolt	六角法兰面螺栓	1	✓	✓
25	GB 96 6-140HV-Zn.DJ	Washer	大垫圈	1	✓	✓
26	43211-27A00	Stop Cam	限位凸轮	1	✓	✓
27	GB/T 70.1 M6X16-Zn.DJ	Bolt	内六角螺栓	1	✓	✓
28	43121-27A00	Return Spring, Rear Brake	脚踏回位簧	1	✓	✓
29	37741-15A00	Spring, Rear Brake Switch	后刹开关簧	1	✓	✓
30	37750-Z1000	Brake Switch, Rear	后刹开关	1	✓	✓
31	43220-27A00	Transition Arm, Rear Brake	后刹脚踏过渡臂	1	✓	✓
32	GB/T 97.1 12-Zn.DJ	Washer	垫圈	1	✓	✓
33	GB/T 894.1-86 12-Zn.DJ	Circlip	轴用弹性挡圈	1	✓	✓
34	43230-27A00	Brake Rod, Short	后刹短拉杆	1	✓	✓
35	GB/T 97.1 6-Zn.DJ	Washer	垫圈	2	✓	✓
36	GB/T 91 2X16-Zn.DJ	Cotter Pin	开口销	2	✓	✓
37	43300-27A00	Brake Rod Assy	后刹拉杆总成	1	✓	✓
38	43311-27A00	Brake Rod	后刹拉杆	1	✓	✓
39	43312-Z1000	Pin	传动销	1	✓	✓
40	210401-Z1000	Spring	后刹拉杆调节簧	1	✓	✓
41	GB/T 97.1 6-Zn.DJ	Washer	平垫圈	2	✓	✓
42	GB/T 91 2X16-Zn.DJ	Cotter Pin	开口销	1	✓	✓
43	43313-Z1000	Pin	制动传动销	1	✓	✓
44	43314-Z1000	Nut	制动器调节螺母	1	✓	✓
45	64200-27A00	Panel Assy, Rear Hub	后刹毂盖组件	1	✓	✓
46	64201-27A00	Panel Comp, Rear Hub	后刹毂盖	1	✓	✓
47	64202-27A00	Rear Brake Shoe	后刹蹄块	2	✓	✓
48	64203-27A00	Spring	后刹蹄块簧	2	✓	✓
49	64204-27A00	Cam, Rear Brake	后刹凸轮轴	1	✓	✓
50	64205-27A00	Lever, Rear Brake Cam	后刹凸轮臂	1	✓	✓
51	GB/T 16674 M6X35-Zn.DJ	Flange Bolt	六角法兰面螺栓	1	✓	✓
52	GB/T 6170 M6-Zn.DJ	Nut	六角螺母	1	✓	✓
53	65310-Z1000	Torque Link, Rear	后刹扭力杆	1	✓	✓
54	70006-Z1000	Bolt	后刹扭力杆螺栓	1	✓	✓
55	09111-Z1000	Bolt	螺栓	1	✓	✓
56	GB/T 859 8-Zn.DJ	Spring Washer	轻型弹簧垫圈	2	✓	✓
57	GB/T 97.1 8-Zn.DJ	Washer	平垫圈	2	✓	✓
58	GB/T 91 2X20-Zn.DJ	Cotter Pin	开口销	2	✓	✓
59	GB/T 6170 M8-Zn.DJ	Nut	六角螺母	2	✓	✓

FIG.10 后平叉 后减震 SWING ARM & REAR ABSORBER



1	61100-27A00	Swing Arm Comp	后平叉组件	1	✓	✓
2	61275-27A00	Spacer	后平叉轴套	1	✓	✓
3	61277-22H00	BEARING NK2220	后平叉滚针轴承	2	✓	✓
4	61222-22H10	Dust Seal	后平叉防尘罩	2	✓	✓
5	61211-27A00	Axle, Swing Arm	后平叉轴	1	✓	✓
6	GB 6187.2 M12X1.25-Zn.DJ	Flange Nut	六角法兰面锁紧螺母	1	✓	✓
7	62100-27A00	Rear Shock Absorber Assy	后减震器	2	✓	✓
8	GB 96 10-140HV-Zn.DJ	Washer	大垫圈	6	✓	✓
9	GB 97.1 12-140HV-Zn.DJ	Washer	平垫圈	2	✓	✓
10	GB/T 923 M10X1.25-Cr	Nut	盖形螺母	4	✓	✓
11	61310-27A00	Chain Case	链条罩	1	✓	✓
12	GB 818 M6X12-Zn.DJ	Screw	十字槽盘头螺钉	2	✓	✓
13	89005-20A00	Warning Sticker, Chain Adjuster	链条调节警示贴花	1	✓	✓
14	89006-20A00	Warning Sticker, Chain Safety	链条安全警示贴花	1	✓	✓

FIG.11 单撑 STAND



1	42310-27A00	Side Stand	单撑组件	1	✓	✓
2	42312-Z1000	Outer Spring, Side Stand	单撑外弹簧	1	✓	✓
3	42321-Z1000	Inner Spring, Side Stand	单撑内弹簧	1	✓	✓

4	42311-23H00	Bolt, Side Stand	单撑螺栓	1	✓	✓
5	42313-Y1000	Switch, Side Stand	单撑熄火开关	1	✓	✓
6	42315-Y1000	Bolt, Side Stand Switch	单撑开关螺栓	1	✓	✓

FIG.12 座椅SEAT



1	45100-27A10	Seat Assy (Single Seat)	座椅总成	1	✓	✓
3	45110-27A00	Front Bracket, Seat	座椅前安装支架	1	✓	✓
4	GB/T 16674 M6X12-Zn.DJ	Flange Bolt	六角法兰面螺栓	4	✓	✓
5	45113-27A00	Rear Bracket, Seat, R	座椅右后支架	1	✓	✓
6	GB/T 16674 M6X12-Zn.DJ	Flange Bolt	六角法兰面螺栓	2	✓	✓
7	45114-27A00	Rear Bracket, Seat, L	座椅左后支架	1	✓	✓
8	GB/T 16674 M6X12-Zn.DJ	Flange Bolt	六角法兰面螺栓	2	✓	✓
9	45131-20A00	Cushion	座椅缓冲垫	4	✓	✓
10	GB/T 16674 M6X12-Zn.DJ	Flange Bolt	六角法兰面螺栓	2	✓	✓
11	89012-15H60	Tape	商标贴花	1	✓	✓

FIG.13 后尾灯 REAR LAMP



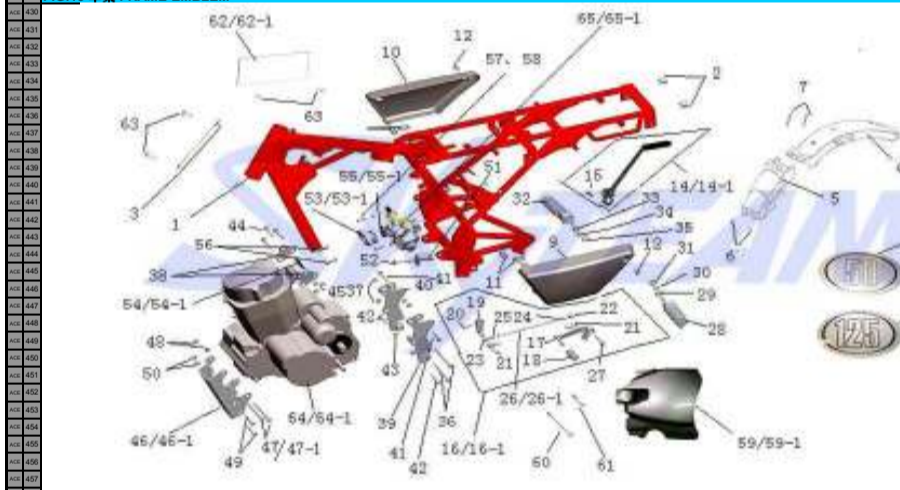
1	38160-Y1000	Rear Reflector	后反射器(E)	1	✓	✓
2	38112-27A00	Bracket, Rear Reflector	后反射器安装支架	1	✓	✓
3	35710-23H00	Tail Lamp Assy	尾灯总成	1	✓	✓
5	63112-23H10-000	Holder, Tail Lamp	尾灯座	1	✓	✓
6	35914-23H00	Bracket	安装支架	1	✓	✓
7	35915-23H00	Rubber Pad	缓冲垫	1	✓	✓
8	GB/T 6187.1 M6-Zn.DJ	Flange Nut	六角法兰面自锁螺母	2	✓	✓

FIG.14 油箱 FUEL TANK



1	44110-27A00	Fuel Tank Comp	油箱	1	✓	✓
2	44416-15A00	Cushion, Lower	后安装座下座	1	✓	✓
3	44120-27A00	Band, Fuel Tank	油箱绑带	1	✓	✓
4	46124-Z1000	Sapcer	后拉手台阶衬套	1	✓	✓
5	GB/T 16674 M8X25-Zn.DJ	Flange Bolt	六角法兰面螺栓	1	✓	✓
6	44413-15A00	Cushion, Fuel tank, Front	前缓冲垫	2	✓	✓
7	44300-15A00	Fuel Cock	油箱开关	1	✓	✓
8	44125-Z1000	Clip	油管夹	8	✓	✓
9	44412-27A00	Hose	油管	1	✓	✓
10	89035-27A00	Left Sticker, Fuel Tank	油箱左侧贴花	1	✓	✓
11	89045-27A00	Right Sticker, Fuel Tank	油箱右侧贴花	1	✓	✓

FIG.15 车架 FRAME-EMBLEM



1	41100-27A00	Frame Comp	车架	1	✓	✓
2	46311-27A00	Rear Insert, Frame	堵头	2	✓	✓
3	68711-15H00	VIN Plate	铭牌	1	✓	✓
4	63110-27A10	Rear Fender	后泥板	1	✓	✓
5	63111-27A10	Front Part, Rear Fender	后泥板前部	1	✓	✓
6	47316-10H00	Rubber Pad	橡胶垫	2	✓	✓
7	GB/T 16674 M6X16-Zn.DJ	Flange Bolt	六角法兰面螺栓	2	✓	✓
8	63412-21H00	Cushion Column, Rear License Plate	后牌照缓冲柱	1	✓	✓
9	47111-27A00	Shield, Lh	左护板	1	✓	✓
10	47211-27A00	Shield, Rh	右护板	1	✓	✓
11	09321-23H00	Cushion Washer	缓冲圈	4	✓	✓
12	46111-22H00	Screw	螺钉	2	✓	✓
13	89011-15A00	Model Decal	型号贴花	2	✓	✓
13-1	89011-20H00	Model Decal	型号贴花	2	✓	✓
14	26300-27H00	Kick Starter	起动机	1	✓	✓
14-1	26300-14A00	Kick Starter	起动机	1	✓	✓
15	GB/T 5783 M8X35-Zn.DB	Bolt	六角头螺栓	1	✓	✓
16	25600-27H00	Shift Pedal Assy	换挡杆总成	1	✓	✓
16-1	25600-27A00	Shift Pedal Assy	换挡杆总成	1	✓	✓
17	25610-27A00	Shift Pedal	换挡脚踏	1	✓	✓
18	25602-27A00	Rubber Cover, Shift Pedal	换挡脚踏皮	1	✓	✓
19	25603-27A00	Rocker-arm, Shift Pedal	换挡摇臂	1	✓	✓
20	GB 5783 M8X30-Zn.DJ	Bolt	六角头螺栓	1	✓	✓
21	25604-27A00	Rubber Protector, Adjustor	调节头护套	2	✓	✓
22	25605-27A00	Right Adjustor	右调节头	1	✓	✓
23	25606-27A00	Left Adjustor	左调节头	1	✓	✓
24	GB/T 6170 M6-Cr	Nut	六角螺母	1	✓	✓
25	GB/T 6170 M6-L-Cr	Nut	六角螺母	1	✓	✓
26	25607-27H00	Adjustor Rod	调节杆	1	✓	✓
26-1	25607-27A00	Adjustor Rod	调节杆	1	✓	✓
27	53121-21H00	Step Bolt	台阶螺栓	1	✓	✓
28	43620-27A00	Rear Footrest Comp, Left	左右脚踏组件	1	✓	✓
29	GB/T 859 10-Zn.DJ	Spring Washer	轻型弹簧垫圈	1	✓	✓
30	GB/T 97.1 10-Zn.DJ	Washer	平垫圈	1	✓	✓
31	GB/T 6170 M10X1.25-Zn.DJ	Nut	六角螺母	1	✓	✓
32	43720-27A00	Rear Footrest Comp, Right	左右脚踏组件	1	✓	✓
33	GB/T 859 10-Zn.DJ	Spring Washer	轻型弹簧垫圈	1	✓	✓
34	GB/T 97.1 10-Zn.DJ	Washer	平垫圈	1	✓	✓
35	GB/T 6170 M10X1.25-Zn.DJ	Nut	六角螺母	1	✓	✓
36	09213-10H00	Bolt	发动机后下安装螺栓	2	✓	✓
37	GB/T 6187.2 M10X1.25-Zn.DJ	Flange Nut	六角法兰面锁紧螺母	2	✓	✓
38	41981-27H00	Upper Plate, Engine Mounting	发动机上安装板	2	✓	✓
39	41970-27A00	Engine Mounting, Lh	发动机左安装板	1	✓	✓
40	41980-27A00	Engine Mounting, Rh	发动机右安装板	1	✓	✓
41	GB/T 5789 M10X1.25X35-Zn.DJ	Bolt	螺栓	2	✓	✓
42	GB/T 5789 M10X1.25X25-Zn.DJ	Bolt	螺栓	2	✓	✓
43	GB/T 6187.2 M10X1.25-Zn.DJ	Flange Nut	六角法兰面锁紧螺母	4	✓	✓
44	44143-10H00	Bolt	发动机上安装板螺栓	3	✓	✓
45	GB/T 6187.2 M8-Zn.DJ	Flange Nut	六角法兰面锁紧螺母	3	✓	✓
46	41990-23H00	Front Bracket, Engine Mounting	发动机前部安装板组件	1	✓	✓
46-1	41990-23A00	Front Bracket, Engine Mounting	发动机前部安装板组件	1	✓	✓
47	44145-10H00	Flange Bolt	发动机安装板螺栓	2	✓	✓
47-1	09114-Z1000	Flange Bolt	六角法兰面螺栓	2	✓	✓

48	GB/T 6187.2 M8-Zn.DJ	Flange Nut	六角法兰面锁紧螺母	2	✓	✓
49	GB/T 5789 M8X80-Zn.DJ	Bolt	发动机前部螺栓	2	✓	✓
50	GB/T 6187.2 M8-Zn.DJ	Flange Bolt	六角法兰面锁紧螺母	2	✓	✓
51	61411-10H00	Protector, Chain	链条下保护块	1	✓	✓
52	GB/T 16674 M6X12-Zn.DJ	Flange Bolt	六角法兰面螺栓	1	✓	✓
53	11010-27A00	Intake Manifold	发动机进气管组件	1	✓	/
53-1	11010-21H00	Intake Manifold	发动机进气管组件	1	/	✓
54	11014-27A00	Paper Gasket	化油器纸垫	1	✓	/
54-1	11014-21H00	Paper Gasket	化油器纸垫	1	/	✓
55	11012-27A00	Gasket	胶木垫	1	✓	/
55-1	11012-21H00	Gasket	胶木垫	1	/	✓
56	81115-Y1000	Anti-theft Bolt	防拆螺栓	2	✓	✓
57	GB/T 5783 M6X30-Zn.DJ	Bolt	六角头螺栓	2	✓	✓
58	GB/T 6170 M6-Zn.DJ	Nut	六角螺帽	2	✓	✓
59	11001-27H00	Left Side Cover, Engine	发动机边盖	1	/	✓
59-1	11001-27A00	Left Side Cover, Engine	发动机边盖	1	✓	/
60	GB/T 5789 M6X50-Zn.DJ	Flange Bolt	六角法兰面螺栓	1	✓	/
61	GB/T 5789 M6X30-Zn.DJ	Flange Bolt	六角法兰面螺栓	1	✓	✓
61	GB/T 5789 M6X30-Zn.DJ	Flange Bolt	六角法兰面螺栓	1	/	✓
62	68712-27H00	Anti-Tempering Plate	防溜改牌	1	/	✓
62-1	68712-27A00	Anti-Tempering Plate	防溜改牌	1	✓	/
63	GB 12618 3.2X11	Rivet	抽芯铆钉	4	✓	✓
64	11000-27A00	Engine	发动机	1	✓	/
64-1	11000-27H00	Engine	发动机	1	/	✓
65	16100-27A00	Carburetor	化油器	1	✓	/
65-1	16100-27H00	Carburetor	化油器	1	/	✓

REMARK: THE PARTS IN RED ARE THE ONES WE CANNOT SUPPLY SEPARATELY. THANKS FOR UNDERSTANDING













